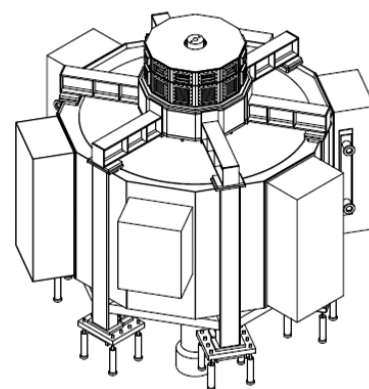
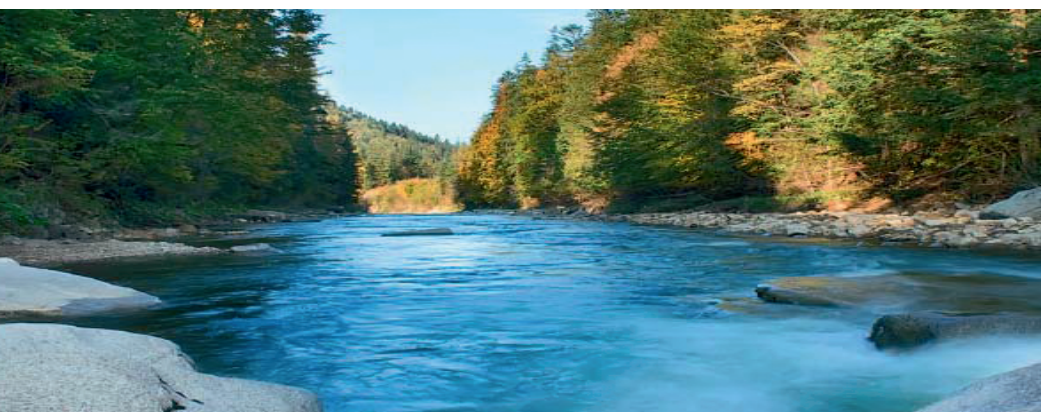


Small Hydro Generators References



Project	Country	No. of machines	Output	Speed	Poles	Voltage	Driven by	Year of project award
Subhash	India	12	1,8 MVA	750 rpm	8	3,30 kV	Francis horizontal	2008
Bhilangana	India	3	10,4 MVA	750 rpm	8	11,0 kV	Francis horizontal	2009
Asiganga	India	2	2,5 MVA	750 rpm	8	3 kV	Francis horizontal	2009
Aishihik	Canada	1	8,3 MVA	900 rpm	8	13,8 kV	Francis horizontal	2009
Cubujuqui	Costa Rica	2	13,6 MVA	600 rpm	12	13,8 kV	Francis horizontal	2010
Eidisverkid	Faroer Island	1	9,6 MVA	750 rpm	8	6,30 kV	Francis horizontal	2010
Pantasma	Nicaragua	2	8,0 MVA	600 rpm	12	13,8 kV	Pelton horizontal	2011
Cambasi	Turkey	2	27,0 MVA	375 rpm	16	11,0 kV	Pelton vertical	2011
Ruechlig	Switzerland	4	2,5 MVA	750 rpm	8	6,30 kV	Kaplan Pit	2011
Dasque Creek	Canada	1 +1	5,2 MVA +11,0 MVA	900 rpm + 600 rpm	8 +12	6,90 kV	Francis horizontal	2011
Arkun	Turkey	2	6,6 MVA	750 rpm	8	6,30 kV	Francis horizontal	2012
Fozal	India	2 +1	4,0 MVA + 2,8 MVA	1000 rpm	6	6,30 kV	Francis horizontal	2012
Baran	Turkey	1	3,9 MVA	1000 rpm	6	6,30 kV	Francis horizontal	2012
Kokish	Canada	4	14,9 MVA	360 rpm	20	13,8 kV	Pelton vertical	2012
Tunjita	Colombia	3	12,2 MVA	900 rpm	8	13,8 kV	Francis horizontal	2012
Kakobola	Congo, D.R.	3	3,7 MVA	333 rpm	18	6,60 kV	Francis vertical	2012
Behna	India	2	3,1 MVA	750 rpm	8	6,60 kV	Francis horizontal	2012
Kjesvatn	Norway	1	16,2 MVA	375 rpm	16	6,60 kV	Francis vertical	2012



1 Cambasi, Turkey
 2 Cubujuki, Costa Rica
 3 Dasque Creek, Canada

Project	Country	No. of machines	Output	Speed	Poles	Voltage	Driven by	Year of project award
San Miguel	Colombia	2	30,0 MVA	514 rpm	14	13,8 kV	Francis vertical	2013
Langed	Sweden	2	4,3 MVA	200 rpm	30	6,6 kV	Francis vertical	2013
Lake Mainit	Philippines	3	11,4 MVA	225 rpm	32	6,6 kV	Francis vertical	2013
Oevre Forsland	Norway	2	5,9 MVA	1000 rpm	6	6,60 kV	Francis horizontal	2013
Bhyunderganga	India	2	21,0 MVA	750 rpm	8	11,0 kV	Pelton vertical	2013

Voith Hydro Holding GmbH & Co. KG
 Alexanderstrasse 11
 89522 Heidenheim, Germany
 Tel. +49 7321 37 0
 Fax +49 7321 37 7828
 www.voith.com

A Voith and Siemens Company