

## **Nipco Technology**

Voith Paper GmbH  
Postfach 10 21 54  
47721 Krefeld  
Voithstraße 2  
47803 Krefeld  
Germany  
Phone +49 2151 896 0  
Fax +49 2151 896 434

Customer Support Center  
Finishing@voith.com  
Phone +49 2151 896 450  
Fax +49 2151 896 944

Voith Paper Inc.  
2200 N. Roemer Road  
P.O. Box 2337  
Appleton, WI 54912-2337  
USA  
Phone +1 920 731 0769 2268  
Fax +1 920 997 9625

## **Rolls Service Center**

### Europe

Voith Paper Rolls  
Wimpassing, Austria  
Phone +43 2630 36900 0

Voith Paper Rolls  
Laakirchen/Oberweis, Austria  
Phone +43 7613 5770 0

Voith Paper Rolls  
Heidenheim, Germany  
Phone +49 7321 37 6062

Voith Paper Rolls  
Dueren, Germany  
Phone +49 2421 499 100

Voith Paper Rolls  
Ravensburg, Germany  
Phone +49 751 83 2670

Voith Paper Rolls  
Weissenborn, Germany  
Phone +49 3731 35420

Voith Paper Rolls  
Lessebo, Sweden  
Phone +46 478 120 80

Voith Paper  
Manchester, Great Britain  
Phone +44 161 6439273

Voith Paper  
Tolosa (Guipuzcoa), Spain  
Phone +34 943 67 37 99

### North and South America

Voith Paper Rolls  
Austell, GA USA  
Phone +1 770 948 8086

Voith Paper Rolls  
Neenah, WI USA  
Phone +1 920 722 7713

Voith Paper Rolls  
West Monroe, LA USA  
Phone +1 318 387 1801

Voith Paper Rolls  
Hawkesbury, Ontario Canada  
Phone +1 613 632 4163

Voith Paper  
São Paulo, Brazil  
Phone +55 11 3944 4869

Voith Paper  
Mucuri, Brazil  
Phone +55 73 292 2284

Voith Paper  
Ponta Grossa, Brazil  
Phone +55 42 228 1010

Voith Paper  
Buenos Aires, Argentina  
Phone +54 11 4762 0040

Voith Paper  
Coronel, Chile  
Phone +56 41 467 397

### Asia

Voith Paper Rolls  
Karawang, Indonesia  
Phone +62 21 8910 7135

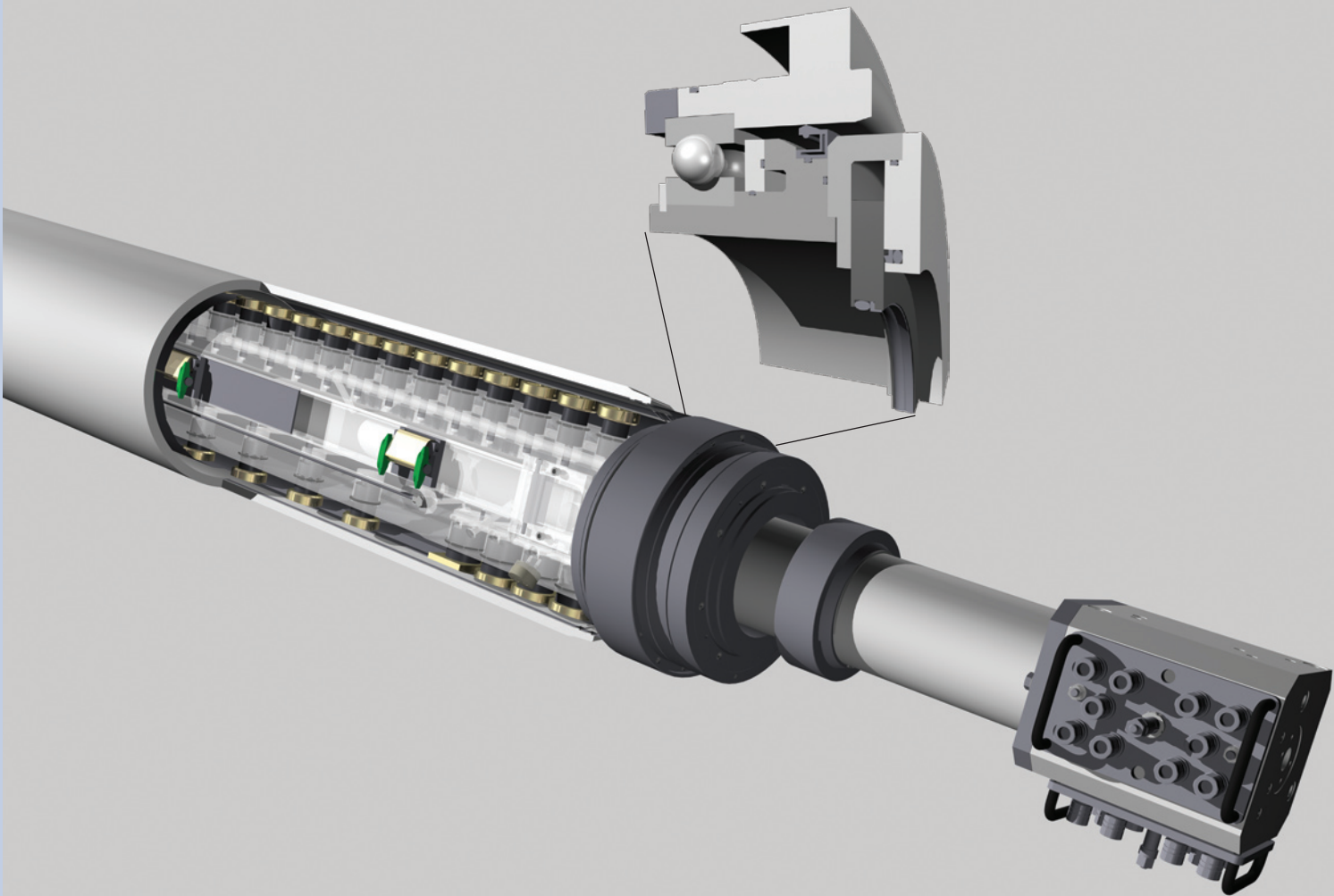
Voith Paper Rolls  
Kunshan, China  
Phone +86 512 57761858

Voith Paper Rolls  
Dong Ying, China  
Phone +86 546 6871129

[www.voithpaper.com](http://www.voithpaper.com)

**VOITH**  
*Engineered reliability.*

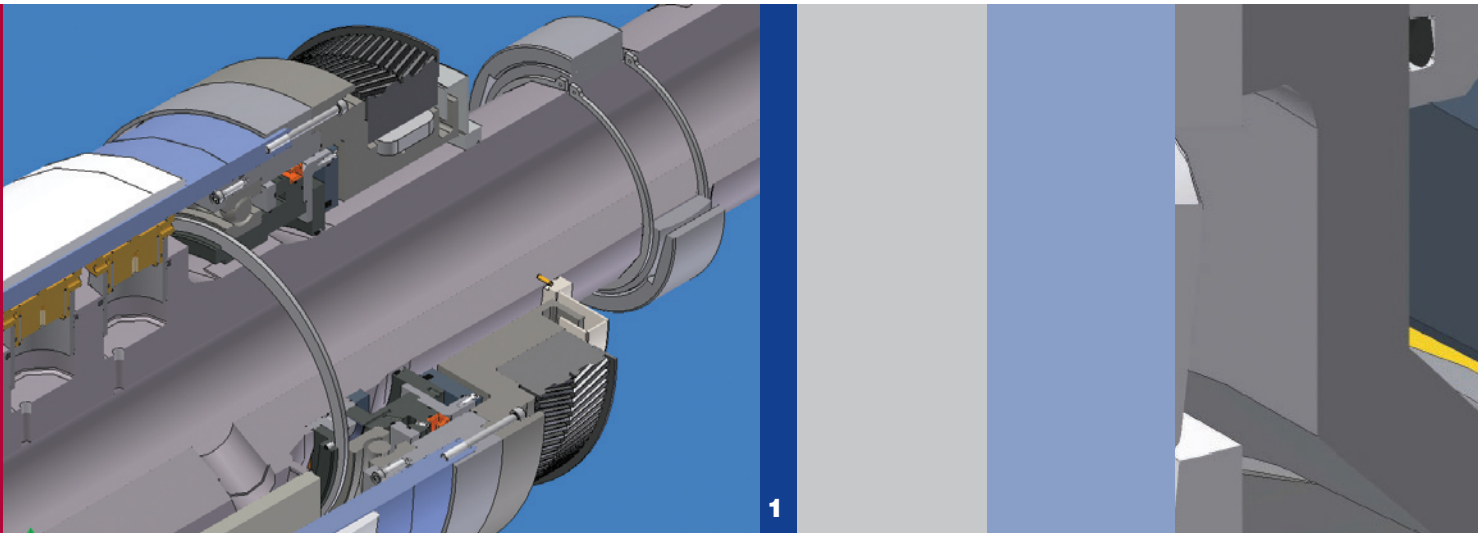
## Nipco™ Upgrade Services Sealing systems



# Nipco™ Upgrade Services

## Sealing systems

Years of intensive development work on sealing technology for deflection-compensated rolls have led to optimized solutions for modern needs. Existing sealing systems can now be upgraded with new bearing and seal materials as well as improved cooling to meet today's demands for better sealing, greater reliability and longer service life.



### Basis

The paper industry today demands ever-increasing dependability and product quality, grade change flexibility, paper roll diameters and production speeds. But because so many factors influence the papermaking process, it is not always easy to meet these needs.

In particular, higher production speeds require absolutely reliable Nipco sealing systems which prevent operating faults and downtime.

You can depend on Voith Service to meet your highest demands for quality and reliability.

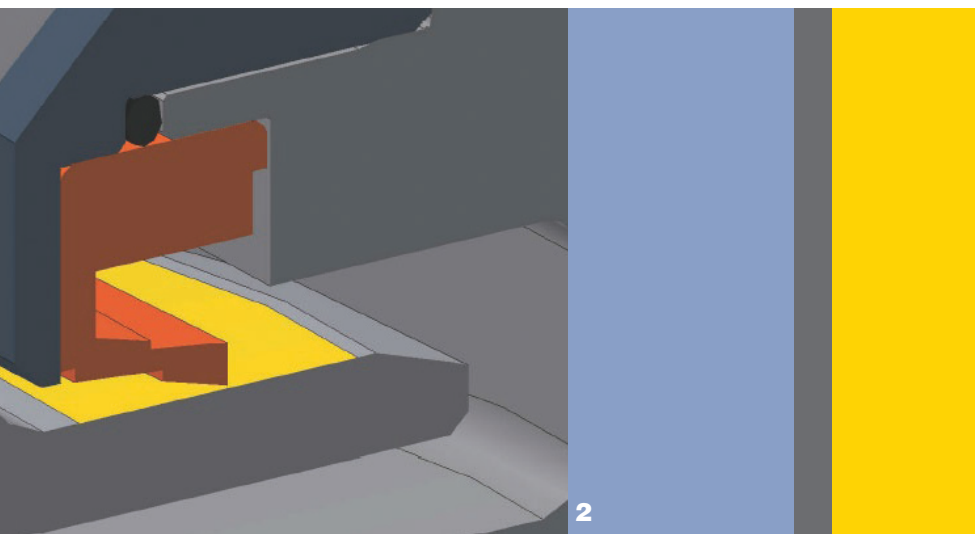
### Our solution

The service life of all Nipco rolls can be extended with new materials and material pairings together with integrated cooling systems. We offer the following tailored solutions for various sealing applications:

- Existing sealing systems with rotary shaft seal rings are modified for static use of the shaft seal rings

- Optimized sealing material combinations suitable for the speed range in question
- Seal rings with special surface coatings for greater wear resistance
- Outside sealing lip seals for space-saving installation
- Installation of a cooling system to ensure optimally balanced sealing lip temperatures

**Fig. 1, 2: Cross-sections**



### **Service performance**

- Inspection and condition analysis of your existing sealing system
- Conception of your optimal sealing solution
- Short-term implementation always possible

### **Your benefits**

- Less wear, lower power losses, and longer service life
- Material structures with greater wear resistance
- Optimized calendering quality thanks to reproducibly precise Nipco roll parameter settings
- Less maintenance outlay
- Greater reliability thanks to leak-free operation
- Lower costs thanks to less maintenance outlay