

## After Market Exchange Program Combisorter™ CSM – Lower Housing



### Lower housing importance

The Combisorter™ is a coarse tailing screen that is capable of deflaking stock while simultaneously cleaning and dewatering impurities from recovered fiber systems.

Centrifugal forces created from the vortex in the lower housing will cause heavyweight particles to move outwards and rotate against the inlet chamber walls.

If not routinely inspected, the wear resistant lining (basalt tile) of the lower housing will over-abrade and heavyweight particles will wear through the stainless steel exterior of the housing. Loss of production and increased fiber loss will result.

### Our solutions

Voith's After Market Exchange Program for the Combisorter™ CSM lower housing provides a means of maintaining the efficiency of your machine while reducing the overall operating costs.

The scope of the lower housing rebuild (the exchange unit) consists of replacement of all basalt tiles, regrouting of the new tiles, ensuring that the unit has no wear to the stainless steel machined surfaces as well as the exterior housing and that it is remachined to OEM standards. The exchange lower housing comes complete with van stone flanges and one blind flanged inspection port with all required hardware for mounting.

### Your benefits

- Lower fiber losses and higher production
- More reliable operation
- Voith keeps exchange assembly on hand for quick delivery
- Mill no longer has to inventory a spare
- Exchange lower housing conforms to most up-to-date OEM specifications
- Exchange housing has same warranty as new components

Voith Paper Fiber & Environmental  
Solutions GmbH & Co. KG  
Escher-Wyss-Straße 25  
88212 Ravensburg, Germany  
Tel. +49 751 83 2038  
Fax +49 751 83 2395  
service.paper-ravensburg@voith.com

Voith Paper Inc.  
2200 N. Roemer Road  
Appleton, WI 54911, USA  
Tel. +1 920 731 7724  
Fax +1 920 731 0240

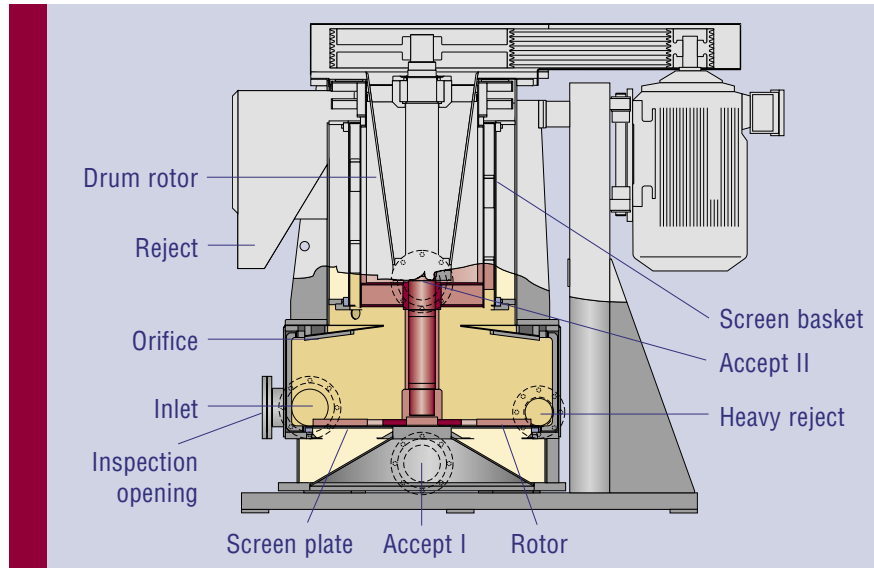
Voith Paper S.A.  
Rua Friedrich von Voith, 825  
02995-000 São Paulo-SP, Brazil  
Tel. +55 11 3944 4354  
Fax +55 11 3944 4848

Voith Paper Jakarta  
Perkantoran Hijau Arkadia  
Menara B, 15th Floor, Suite 1501  
Jl.Letjen. TB. Simatupang Kav.88  
Jakarta Selatan 12520, Indonesia  
Tel. +62 21 788 45922  
Fax +62 21 788 45925

Voith Paper B.V.  
Radeweg 14  
8171 MD Vaassen, Netherlands  
Tel. +31 578 579 700  
Fax +31 578 579 730

Voith Paper China Co., Ltd.  
199 ChenFeng Road  
New and Hi - Tech Industrial  
Development Zone  
Kunshan, Jiangsu 215300, China  
Tel. +86 512 57 99 36 00  
Fax +86 512 57 99 36 11

[www.voithpaper.com](http://www.voithpaper.com)



*Combisorter™ CSM lower housing major components*

**VOITH**  
*Engineered reliability.*