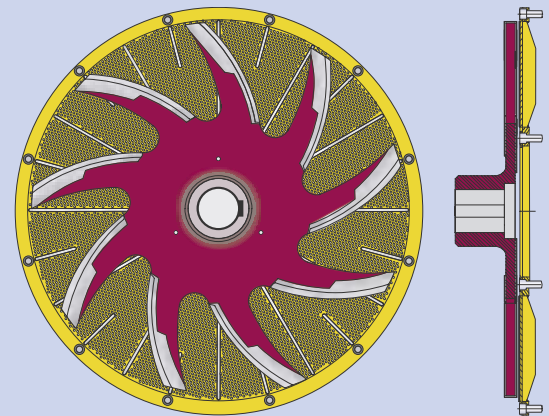


After Market Exchange Program Combisorter™ CSM – Rotor Blade, Extraction Plate and Orifice Plate with Deflector Bars



Importance of rotor blade, extraction plate and orifice plate

The Combisorter™ is a coarse tailing screen that is capable of deflaking stock while simultaneously cleaning and dewatering impurities from recovered fiber systems.

The disk rotor sweeps the extraction plate and contributes a rotational flow (together with the tangential flow of stock into the inlet chamber) that produces a vortex and, with it, a radial pressure gradient in the lower housing. At the top of the inlet chamber is an orifice plate with an opening in its center that enables the lower chamber to be pressurized. The fiber and contaminants retained above the extraction plate enter the core of the vortex, pass through the orifice plate and into the upper zone for further screening.

Our solution

Voith's After Market Exchange Program for the Combisorter™ CSM rotor blade, extraction plate and orifice plate kit provides a means of maintaining the efficiency of your machine while reducing overall operating costs.

The exchange kit comes complete with hard faced rotor blade, extraction plate with wear strips, orifice plate with deflector bars, O-rings and all necessary hardware to mount the extraction plate. Hardware is included to mount the deflector bars to the orifice plate.

Your benefits

- Lower fiber losses and higher production
- More reliable operation
- Voith keeps exchange kit on hand for quick delivery
- Mill no longer has to inventory a spare
- Exchange rotor blade, extraction plate and orifice plate conform to most up-to-date OEM specifications
- Exchange kit has same warranty as new components

Voith Paper Fiber & Environmental
Solutions GmbH & Co. KG
Escher-Wyss-Straße 25
88212 Ravensburg, Germany
Tel. +49 751 83 2038
Fax +49 751 83 2395
service.paper-ravensburg@voith.com

Voith Paper Inc.
2200 N. Roemer Road
Appleton, WI 54911, USA
Tel. +1 920 731 7724
Fax +1 920 731 0240

Voith Paper S.A.
Rua Friedrich von Voith, 825
02995-000 São Paulo-SP, Brazil
Tel. +55 11 3944 4354
Fax +55 11 3944 4848

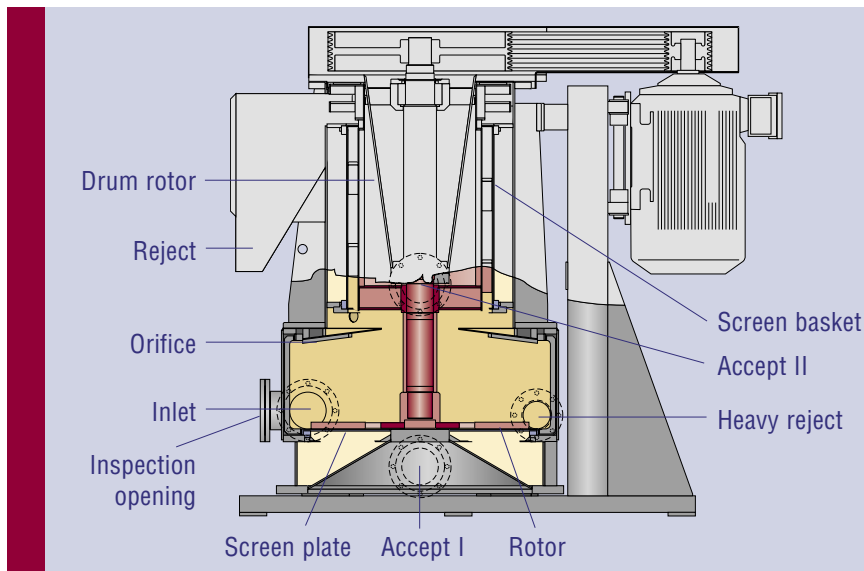
Voith Paper Jakarta
Perkantoran Hijau Arkadia
Menara B, 15th Floor, Suite 1501
Jl.Letjen. TB. Simatupang Kav.88
Jakarta Selatan 12520, Indonesia
Tel. +62 21 788 45922
Fax +62 21 788 45925

Voith Paper B.V.
Radeweg 14
8171 MD Vaassen, Netherlands
Tel. +31 578 579 700
Fax +31 578 579 730

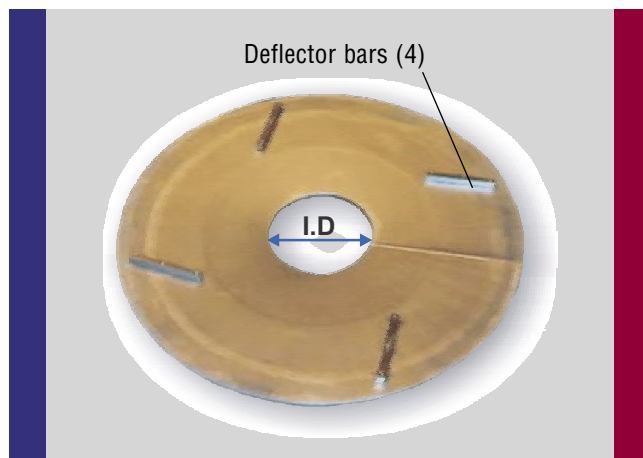
Voith Paper China Co., Ltd.
199 ChenFeng Road
New and Hi - Tech Industrial
Development Zone
Kunshan, Jiangsu 215300, China
Tel. +86 512 57 99 36 00
Fax +86 512 57 99 36 11

www.voithpaper.com

VOITH
Engineered reliability.



Combisorter™ CSM lower housing major components



Note: The orifice plate is shown upside down in order to view deflector bars.