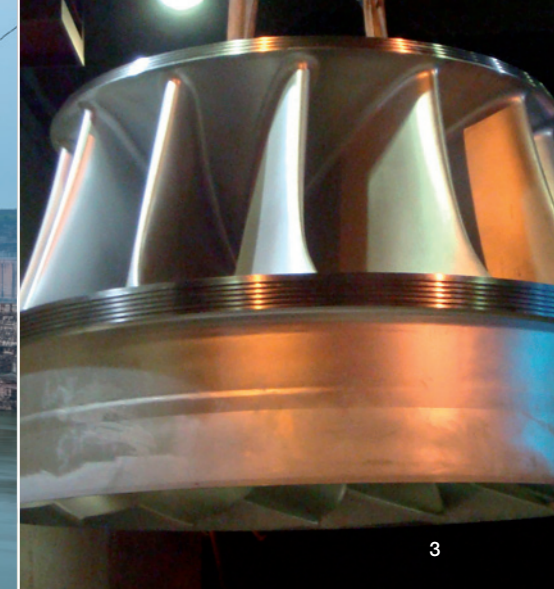


Francis turbines





Cover picture Francis Runner, Workshop, Brazil

Harnessing the power of water with engineered reliability

Generating electricity from the power of water represents large amounts of clean, renewable energy. 71 percent of the earth's surface is covered by water. The world's hydropower potential amounts to 20 billion Megawatt hours per year and only 25 percent of this has been developed so far.

Hydropower is not only environmentally friendly, but also cost-effective. Hydropower plants have the highest operating efficiency of all renewable generation systems. They are largely automated, and their operating costs are relatively low. Hydroelectric power plants also play an important role in water resource management, flood control, navigation, irrigation and in creating recreation areas.

Voith is an industry leader in the production of generators, turbines and the associated control systems to put the power of water to work. A range of services, from engineering through manufacturing and project management to commissioning, completes our portfolio as one of the world's leading hydropower product and service provider.

As part of our international network each Voith facility is equipped with consistent best-in-class processes and tools. This network also ensures that we can meet special customized requirements: from individual components to project planning, through project management and plant maintenance. With branches and production facilities for electrical and hydraulic machines and

components in Europe, Asia, North and South America we are close to our customers and active in all major hydropower markets worldwide.

With more than 140 years experience in the field of hydropower and major achievements in research and development, Voith is well equipped to continue delivering excellence in hydropower in the years to come.

Engineered reliability

Is our promise to our customers. Voith's products and services are designed specifically for our customers' needs. We always work efficiently and economically and, above all, following our values and visions for sustainable hydro power solutions.

Competence and capabilities

- Consulting, engineering, erection and commissioning
- System/plant assessments
- HyService – global, fast and effective for modernization and rehabilitation of existing hydroelectric power plants
- Complete equipment, installation and services for hydroelectric power plants
- Francis, Pelton, Kaplan, Bulb/Pit/S-turbines, pump-turbines, standard and customized products
- Storage pumps, radial, semi-axial and axial-flow pumps
- Generators and motor-generators for constant and adjustable speed, excitation systems

- Frequency converters, protection systems, switchyards for all voltages, transformers
- Power plant automation, control centers for hydro power plants and cascades, including plant management and diagnostic systems
- Shut-off valves
- Integrated Management System to safeguard excellence and quality

- 1 Xi Luo Duo, China
- 2 Omkareshwar, India
- 3 San Esteban II, Spain

Characteristics

From the beginning, Francis turbine development has always been synonymous with Voith.

With decades of continuous optimization based on the latest hydro-dynamic research, well over half the turbines manufactured by Voith are of the Francis type.

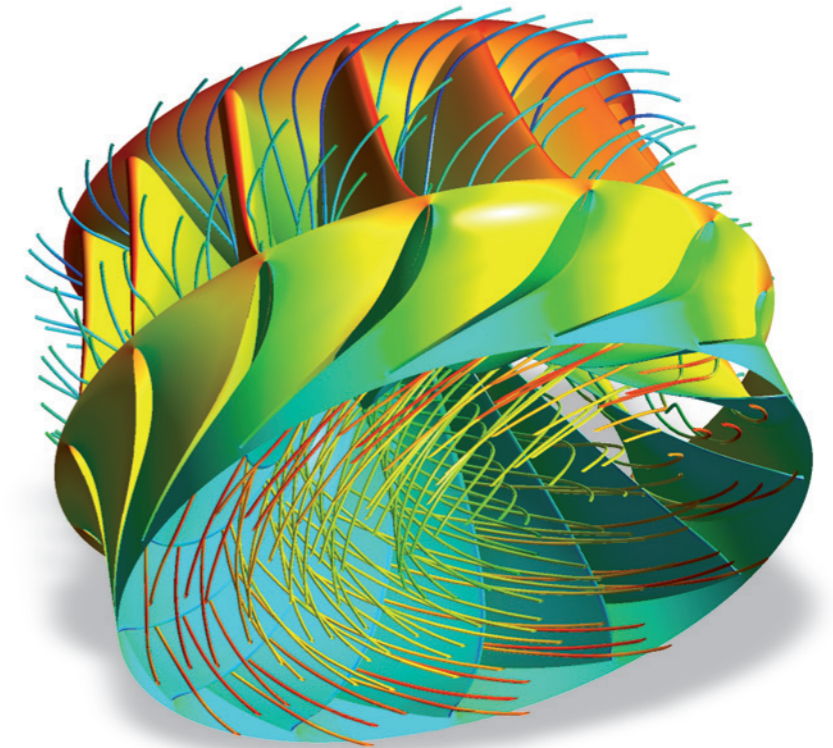
Our Francis turbines, including the world's largest and most powerful, are in service around the globe. What better testimony to our more than 140 years of hydro turbine experience?

Numerical development methods linked to computer-aided manufacturing processes guarantee optimum hydraulic performance and reliability.

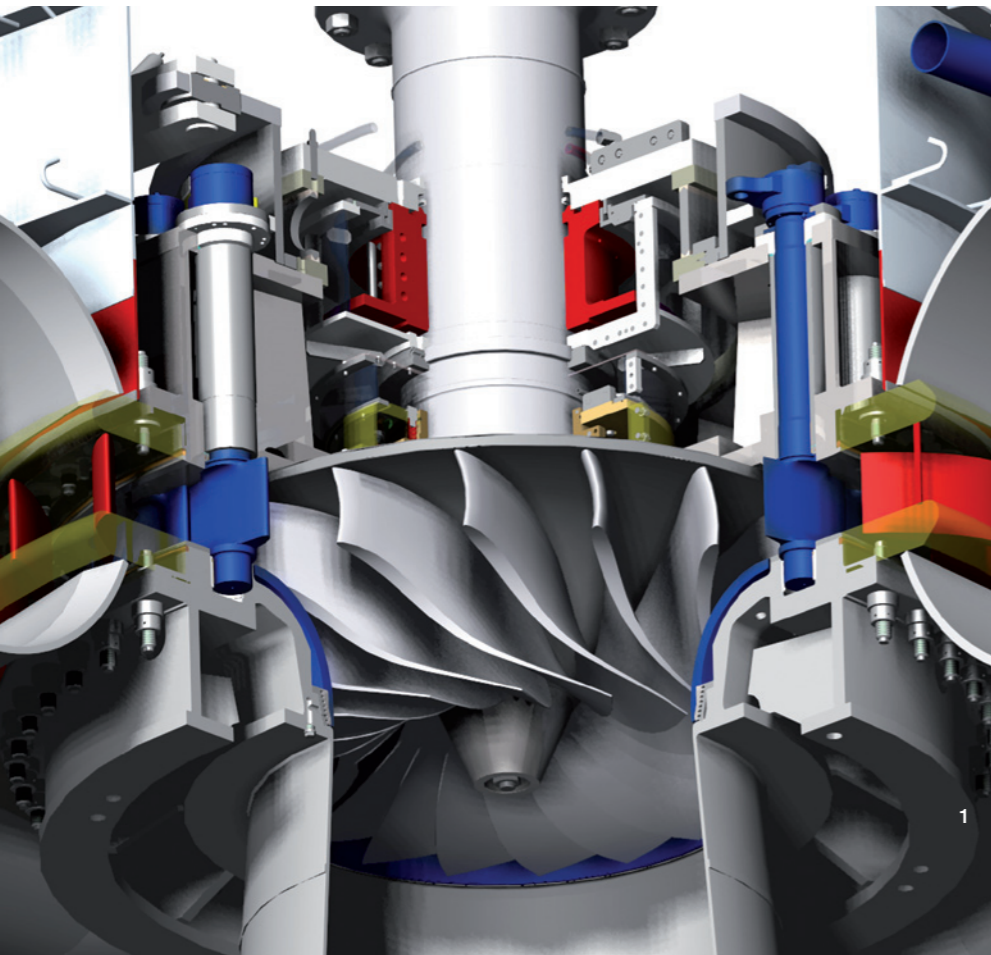
Francis turbines are used primarily for medium heads and large flows applications. Their special hydraulic characteristics result in relatively high-speed compact units, right up to the largest capacities.

Voith also supplies cost-effective Francis units in standardized designs and packages for small hydro plants.

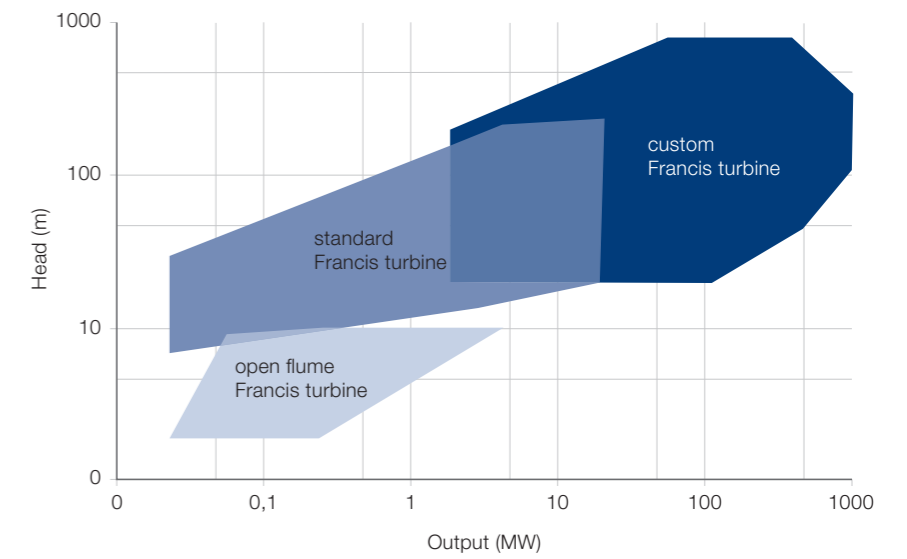
Francis turbine 3D model



- 1 Francis turbine 3D model
- 2 Xi Luo Du, China



Application range





1 Xingo, Brazil
 2 Xi Luo Du, China
 3 Eastmain, Canada
 4 Revelstoke, Canada

1870 Hydro turbine production began.

1873 First Francis turbine with a modern distributor.

1903 Niagara Falls, Canada:
 Double spiral turbines with P = 5.2 MW and H = 79.5 m.
 Most powerful turbines of their time.

1912 Niagara Falls, Canada:
 Double spiral turbines with P = 12 MW and H = 54.9 m.
 Most powerful turbines of their time.

1974 Grand Coulee III, USA:
 P = 820 MW and H = 87 m.
 Most powerful and largest Francis turbines in the world with 9.7 m runner diameter.

1974 Rovina-Piastra, Italy:
 P = 133 MW at the high head of H = 554 m.

1978 Itaipu, Brazil/Paraguay:
 P = 800 MW and H = 118.4 m.
 Overall design and joint supply of turbines and generators for the world's most powerful hydro plant to date at 13,300 MW.

1982 Xingo, Brazil:
 6 x 535 MW; Francis turbines with an operating head of 111.7 m and a runner diameter of 7.2 m.

1991 Norris Dam, USA:
 First aerating Francis turbine runner increases dissolved oxygen content for enhanced aquatic life.

1997 Three Gorges, China:
 Participation in the supply of turbines, generators and electrical equipment for the world's largest hydroelectric power plant with a total capacity of more than 18,000 MW.

2003 Omkareshwar, India:
 8 x 66.3 MW; large low head Francis turbines with operating head in the range of about 30 m.

2005 Xiaowan, China:
 6 x 714 MW; Francis turbines including 8.7 m outside diameter ring gates.

2006 Revelstoke, Canada:
 1 x 512 MW; Francis turbine with an operating head of 127.1 m and a runner diameter of 7.1 m.

2007 Jin Ping II, China:
 8 x 610 MW; high head Francis turbines equipped with ring gates; first application of the splitter blade design for a large runner (runner diameter about 6.5 m).

2007 Eastmain 1 A, Canada:
 3 x 260 MW; Francis turbines with an operating head of 63 m and a runner diameter of 6.6 m.

2007 Nuo Zha Du, China:
 3 x 650 MW; Francis turbines with an operating head of 187 m and a runner diameter of 7.3 m.

2008 Xi Luo Du, China:
 3 x 784 MW; Francis turbines with an operating head of 197 m and a runner diameter of 7.7 m.

2008 Li Yuan, China:
 4 x 612 MW, Francis turbines with an operating head of 106 m and a runner diameter of 8.2 m.

2009 San Esteban II, Spain:
 1 x 177.3 MW, Francis turbine with an operating head of 95 m and a runner diameter of 4.6 m.

2009 San Esteban II, Spain:
 1 x 177.3 MW, Francis turbine with an operating head of 95 m and a runner diameter of 4.6 m.

2010 Waneta, Canada:
 2 x 167 MW Francis turbines with an operating head of 61 m and a runner diameter of 5.5 m.

2011 Bratskaya, Russia:
 Refurbishment and runner replacement for 6 x 255 MW Francis turbines, operating head of 100 m, runner diameter of 5.6 m.

Voith Hydro Holding GmbH & Co. KG
Alexanderstraße 11
89522 Heidenheim, Germany
Tel. +49 7321 37 0
Fax +49 7321 37 7828

www.voith.com

A Voith and Siemens Company

VOITH
Engineered Reliability